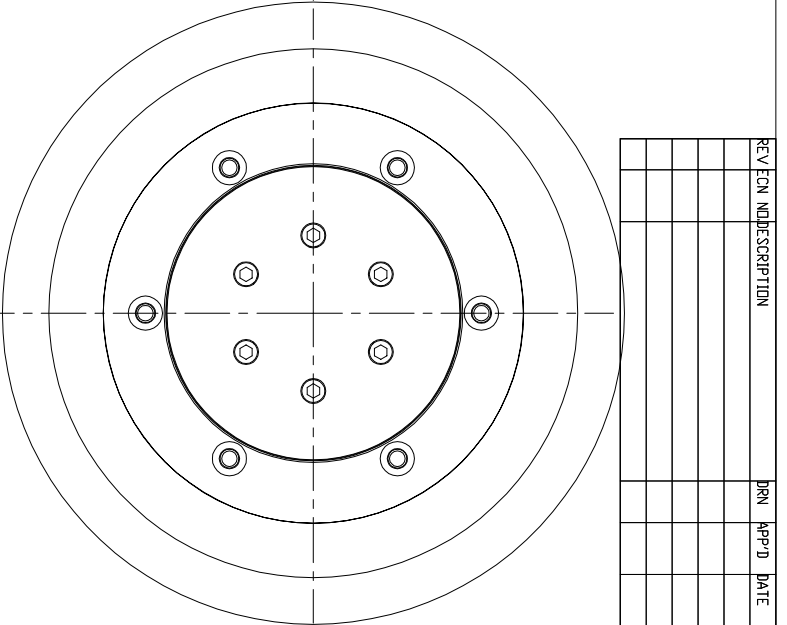
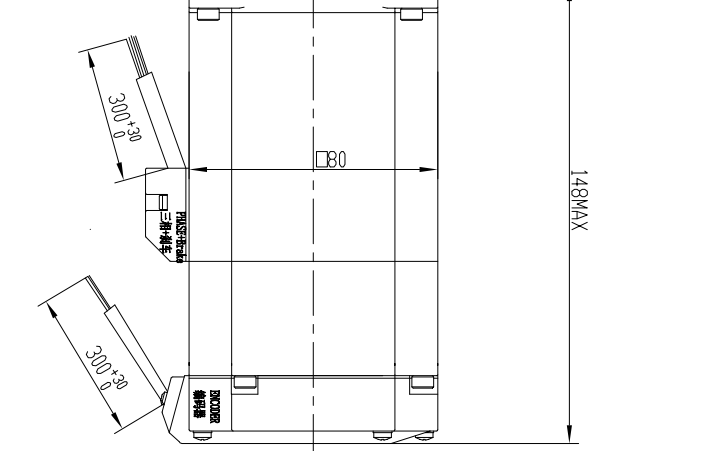
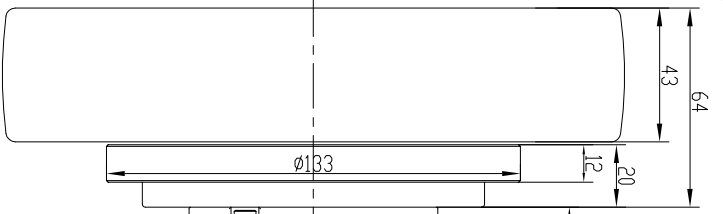
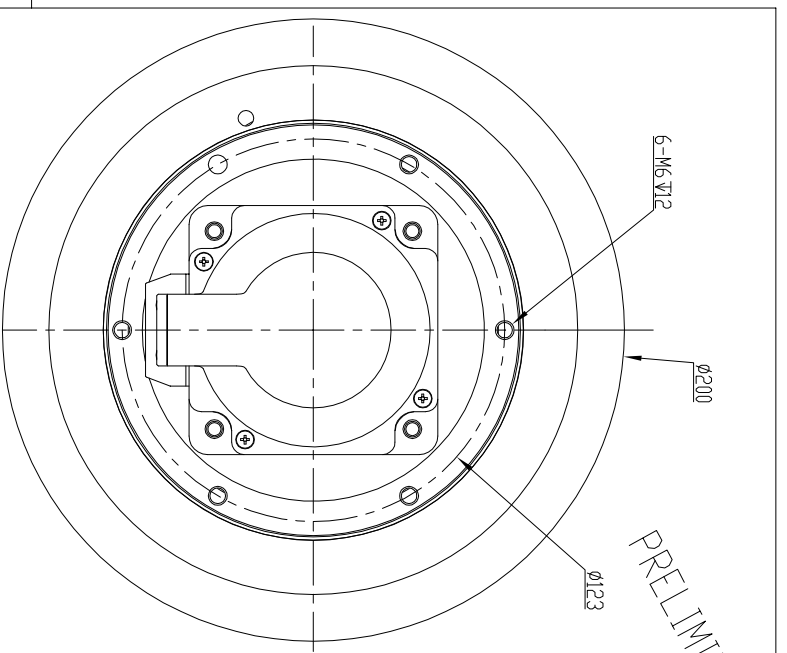


REV	EN	DESCRIPTION	PRN	APP'D	DATE

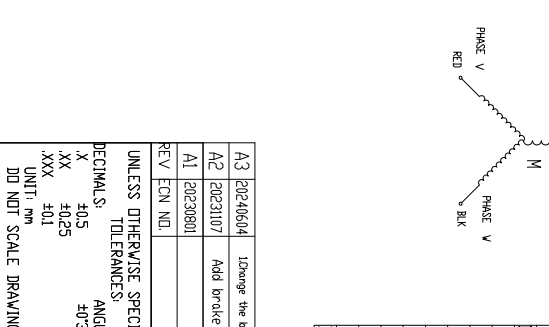


MOTOR SPECIFICATIONS WITH GEAR BOX
(BW95-12-20-P2)

RATED SPEED	150 RPM
RATED TORQUE	44.9Nm
RATIO	1:20

Breaker	96VDC 38Nm
Wires for Brake	AWG20
COLOR	DEFINITE
RED	96VDC
WHT	GND

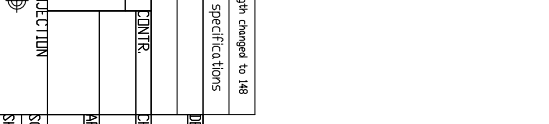
NUMBER OF PHASE	绕组相数	3
NUMBER OF POLES	极数	10
LINE TO LINE RESISTANCE	绕组电阻	0.07±10% ohms@20°C
LINE TO LINE INDUCTANCE	绕组电感	0.23 ±20% mH@1kHz
NOMINAL VOLTAGE	额定电压	48 VDC
NOMINAL SPEED	空载转速	4500±10% RPM
NO LOAD CURRENT	空载电流	<35A
RATED TORQUE	额定转矩	2.39 Nm
RATED SPEED	额定转速	3000 RPM
RATED CURRENT	额定电流	21 A
PEAK TORQUE	峰值转矩	7.17 Nm
PEAK CURRENT	峰值电流	63 A
BACK EMF CONSTANT	反电动势系数	7.5 Vms/kr@1410°
TORQUE CONSTANT	转矩系数	0.25 Nm/A
INSULATION CLASS	绝缘等级	B
INSULATION RESIST	绝缘电阻	100MΩhm @300VDC
ROTOR INERTIA	转子转动惯量	1.57 Kg·cm²
WEIGHT	重量	6.5 Kg
OPERATION AMBIENT	使用环境	Ambient temperature--20...+50°C, humidity Max 85%(No condensation)
STORAGE AMBIENT	存储环境	Ambient temperature--20...+85°C, humidity Max 85%(No condensation)



Wires for Phases AWG13

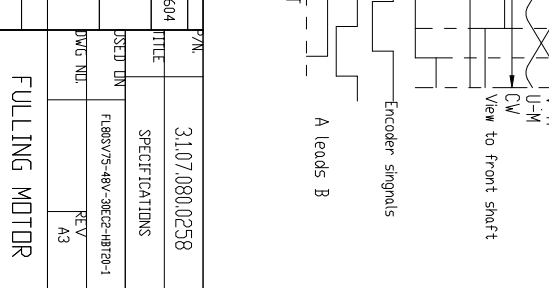
PHASE U	PHASE V	PHASE W
YEL	RED	BLK

Feedback info
Feed back device: 200pp/rev incremental magnetic encoder



ENCODER 2500CPR

Encoder	AWG26
COLOR	DEFINITE
BLU/蓝	A+
BLU/BLK/蓝	B+
WHT/BLK/白/黑	B-
PKR/紫	Z+
GRY/灰	Z-
BRO/棕	Hu
ORG/橙	Hv
YEL/黄	Hw
RED/红	+5V
GRY/WHT/灰/白	GND



REV	EN	DESCRIPTION <td>PRN</td> <td>APP'D</td> <td>DATE</td>	PRN	APP'D	DATE

DESIGN	DATE	PRN
WJY	20240604	3.107.080.0258

CHECK	TITLE	SPECIFICATIONS

DESIGN	DATE	PRN
WJY	20240604	3.107.080.0258

REV	EN	DESCRIPTION
A3	20240604	10change the brake voltage to 96V, encoder length changed to 148
A2	2023107	Add brake wires and encoder wires specifications
A1	20230801	Update wheel size

UNLESS OTHERWISE SPECIFIED	DESCRIPTION
TOLERANCES:	
ANGULAR:	
DECIMAL S:	±0.5
X:	±0.25
XXX:	±0.1
UNIT:	mm
DD NOT SCALE DRAWING	

FIRST ANGLE PROJECTION	
------------------------	--

SCALE	1:2
SHEET	1 OF 1

APP'D	DESIGN

DESIGN	DATE	PRN
WJY	20240604	3.107.080.0258

CHECK	TITLE	SPECIFICATIONS

DESIGN	DATE	PRN
WJY	20240604	3.107.080.0258

REV	EN	DESCRIPTION
A3	20240604	10change the brake voltage to 96V, encoder length changed to 148
A2	2023107	Add brake wires and encoder wires specifications
A1	20230801	Update wheel size

UNLESS OTHERWISE SPECIFIED	DESCRIPTION
TOLERANCES:	
ANGULAR:	
DECIMAL S:	±0.5
X:	±0.25
XXX:	±0.1
UNIT:	mm
DD NOT SCALE DRAWING	

FIRST ANGLE PROJECTION	
------------------------	--

SCALE	1:2
SHEET	1 OF 1

APP'D	DESIGN

DESIGN	DATE	PRN
WJY	20240604	3.107.080.0258

CHECK	TITLE	SPECIFICATIONS